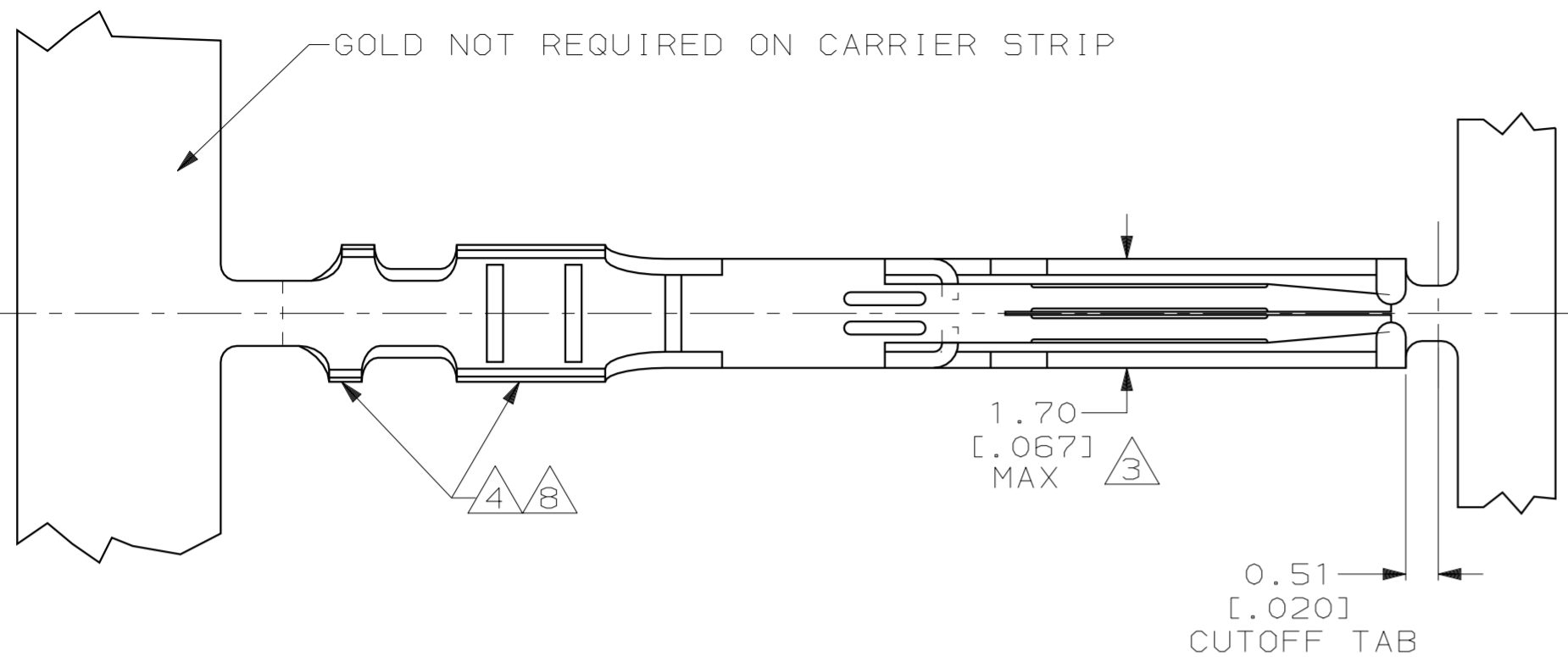
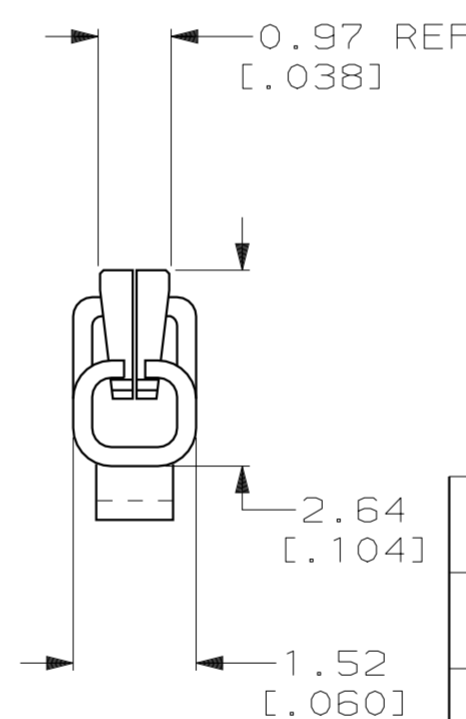
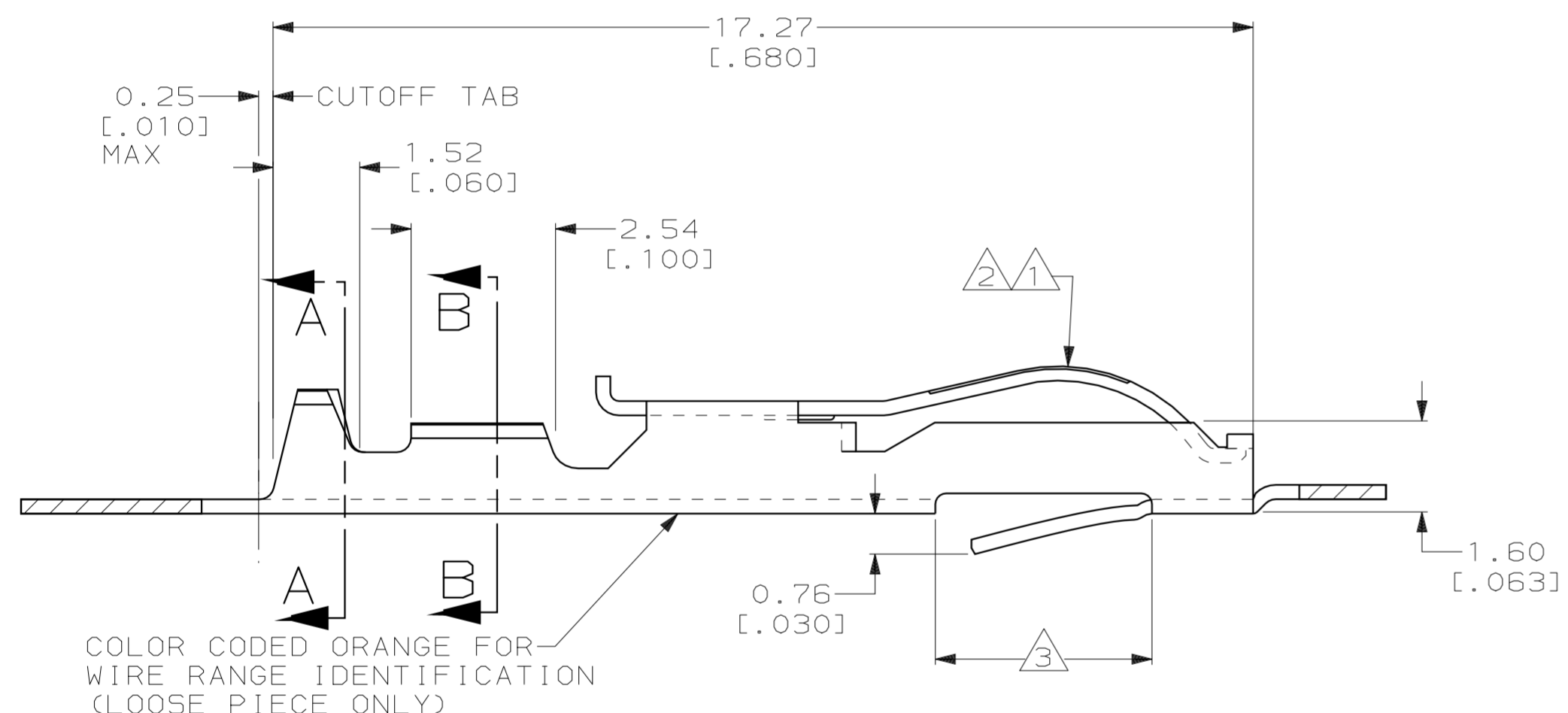


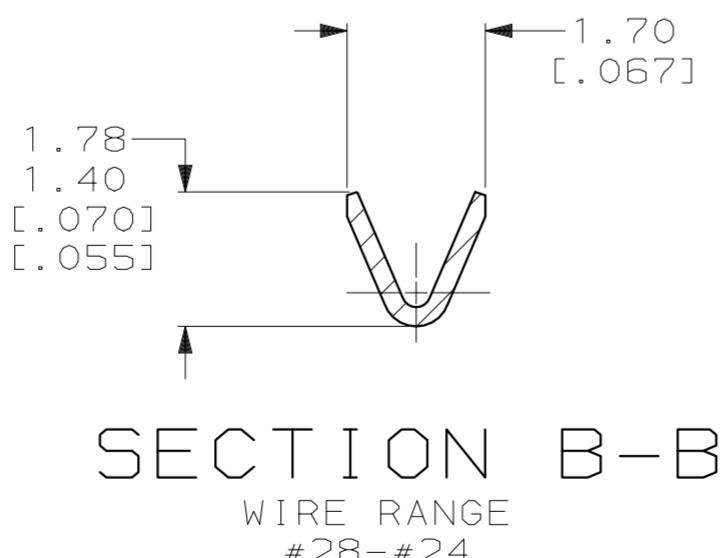
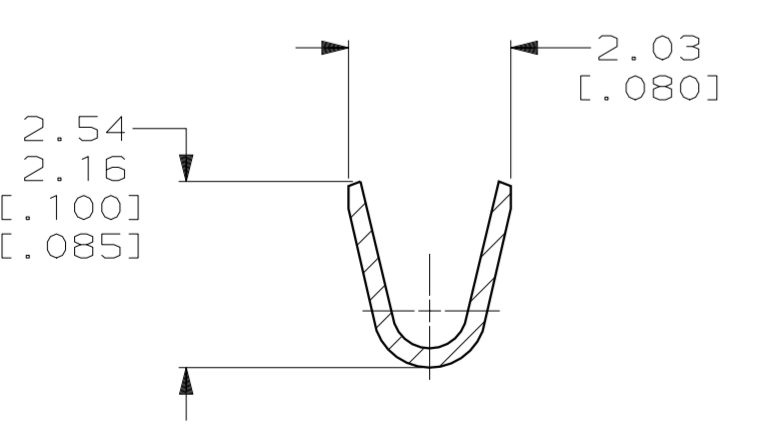
LOC		DIST		REVISIONS				DATE	APPD
P	F	ZONE	LTR	DESCRIPTION					
AD	00		Z	ECO-05-003616			30NOV05	RB MM	



- 1 .000030 GOLD OVER .000030 NICKEL IN CONTACT AREA.
- 2 .000015 GOLD OVER .000030 NICKEL IN CONTACT AREA.
- 3 .067 MAX ALLOWED IN LOCKING POSITION AREA FOR .140 REF LENGTH.
- 4 TIN-LEAD IN CRIMP AREA.
- 5 OBSOLETE
- 6 .000050 GOLD OVER .000050 NICKEL IN CONTACT AREA. REMAINDER OF CONTACT GOLD FLASH OVER NICKEL.
- 7 .000015 GOLD OVER .000030 NICKEL IN CONTACT AREA. REMAINDER OF CONTACT GOLD FLASH OVER NICKEL.
- 8 MATTE TIN IN CRIMP AREA.



COLOR CODED ORANGE FOR WIRE RANGE IDENTIFICATION (LOOSE PIECE ONLY)



5-583616-3	5-583616-7	2/8	5-583616-5
5-583616-2	5-583616-6	1/8	5-583616-4
1-583616-0	5 1-583616-2	7	1-583616-1
583616-8	5 1-583616-3	6	583616-9
583616-3	5 583616-7	2/4	583616-5
583616-2	583616-6	1/4	583616-4
STRIP PART # STD REELING LEFT TO RIGHT	STRIP PART # REELING RIGHT TO LEFT	FINISH	LOOSE PIECE

DO NOT SCALE PRINT. UNLESS SPECIFIED DIMENSIONS IN mm [INCHES]		PART NO	
TOLERANCES ON :		AMP AMP Incorporated Harrisburg, PA 17105-3608	
2 PLC DEC ± -		NAME	
3 PLC DEC ± -		CONTACT-TWIN LEAF (CRIMP-SNAP)	
ANGLES ± -		SIZE CAGE CODE DRAWING NO	
MATERIAL		C 00779 C=583616	
PHOS BRONZE		SCALE 10:1 SHEET 1 OF 1	
FINISH		APPLICATION SPEC	
SEE TABLE		-	
WEIGHT		-	

THIS DRAWING IS A CONTROLLED DOCUMENT FOR AMP INCORPORATED. IT IS SUBJECT TO CHANGE AND THE CONTROLLING ENGINEERING ORGANIZATION SHOULD BE CONTACTED FOR THE LATEST REVISION.